



10DL/15DH MD MOR

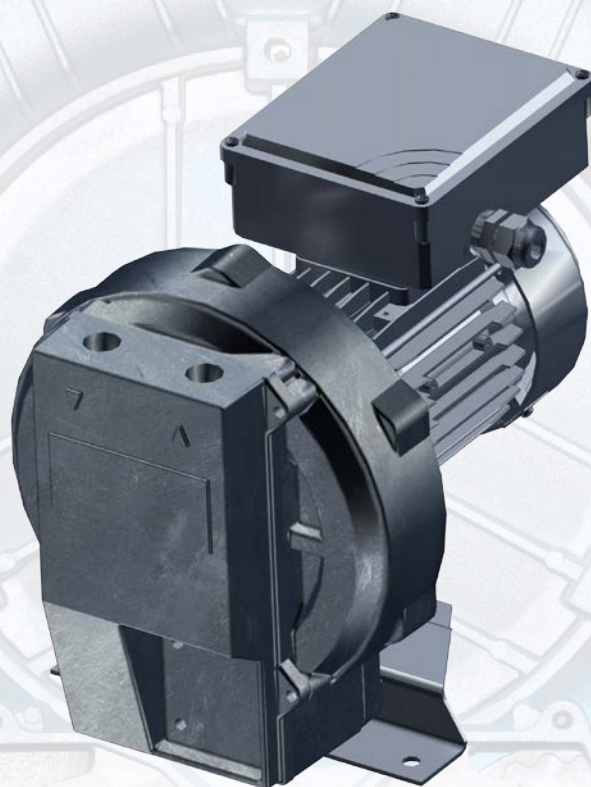
EU VERSION

TECHNICAL CHARACTERISTICS

- Aluminium alloy construction
- High efficiency impeller

OPTIONS

- Special Voltages (IEC 60038)
- Surface treatments
- Increased seal version



Data sheet

LATERAL CHANNEL BLOWERS-EXHAUSTERS

PRESSURE

Model	N 2900 rpm [kW]	N 3500 rpm [kW]	Q max 2900 rpm [m ³ /h]	Q max 3500 rpm [m ³ /h]	ΔP max 2900 rpm [hPa] (mbar)	ΔP max 3500 rpm [hPa] (mbar)	Leq ¹ 2900 rpm (Lp) [dB(A)]	Leq ¹ 3500 rpm (Lp) [dB(A)]	Weight ² max [kg]
10DL-MD	0,37	0,43	30	35	200	175	62	64	10
15DH-MD	0,55	0,63	50	58	300	275	62	64	12,5

VACUUM

Model	N 2900 rpm [kW]	N 3500 rpm [kW]	Q max 2900 rpm [m ³ /h]	Q max 3500 rpm [m ³ /h]	ΔP max 2900 rpm [hPa] (mbar)	ΔP max 3500 rpm [hPa] (mbar)	Leq ¹ 2900 rpm (Lp) [dB(A)]	Leq ¹ 3500 rpm (Lp) [dB(A)]	Weight ² max [kg]
10DL-MD	0,37	0,43	30	35	150	175	62	64	10
15DH-MD	0,55	0,63	50	58	275	275	62	64	12,5

INSTALLATION

- For proper use, the blower should be equipped with INLET FILTER and Flow Relief VALVE; other accessories available on request.
- Ambient temperature from -15° to +40°C (+5° to +104° F).
- Specifications subject to change without notice.
- Before installation read carefully all instructions.

¹ Noise measured at 1 m distance with inlet and outlet ports piped, in accordance to ISO 3744.

² Value refers to the weight of the machine with 3 Phase motor if MOR range, without motor if GOR or GVR range.

N: Installed motor power

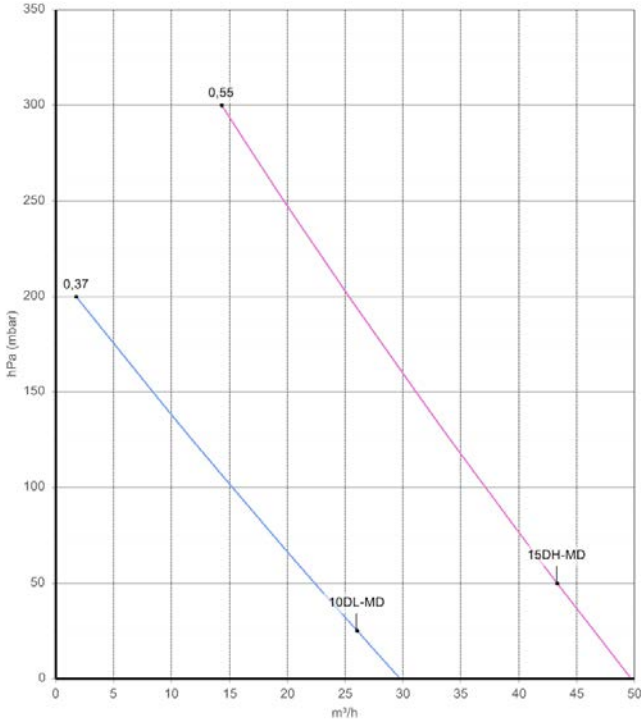
Q: Flow rate

ΔP: Differential pressure

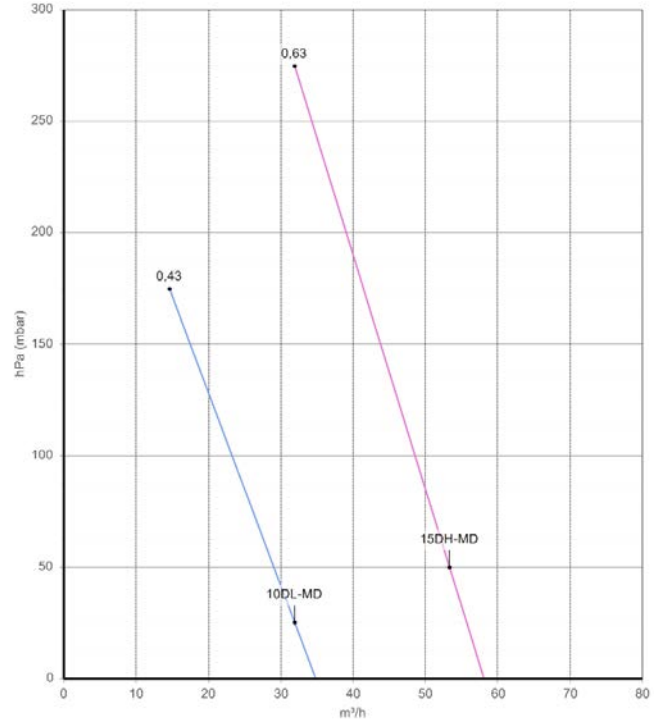
Leq: Noise Level

PRESSURE

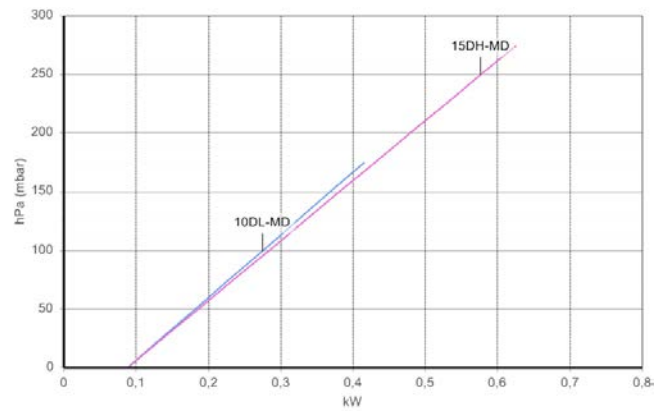
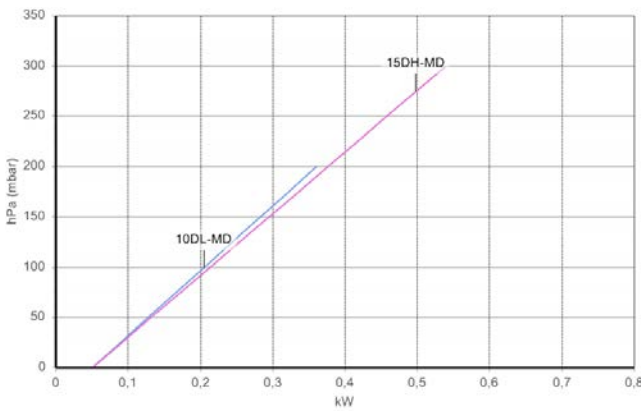
2900 rpm (50 Hz)



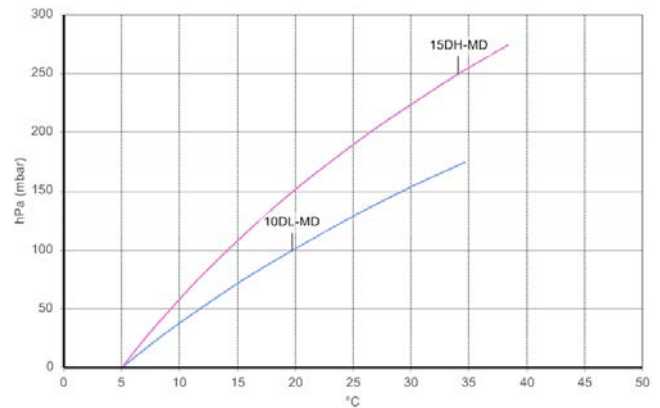
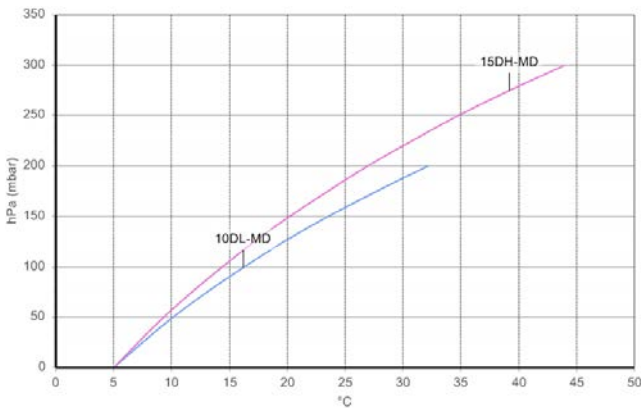
3500 rpm (60 Hz)



FLOW RATE



ABSORBED POWER



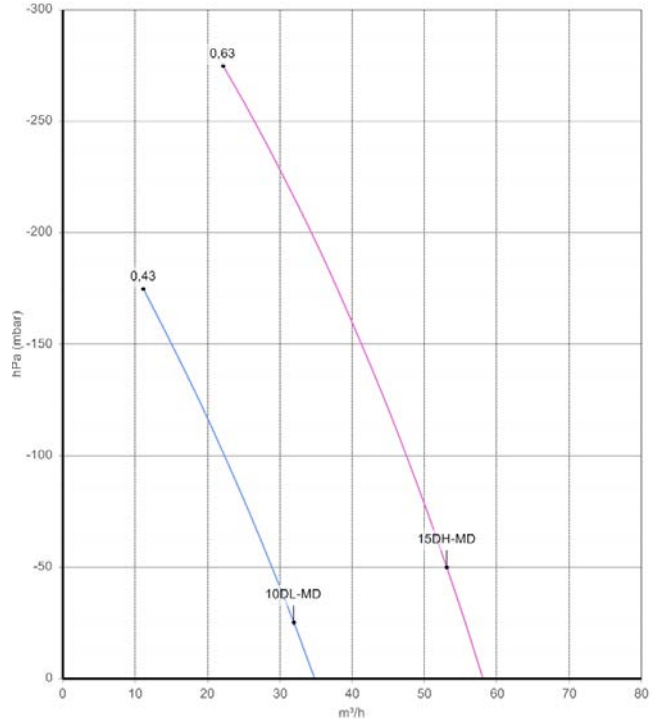
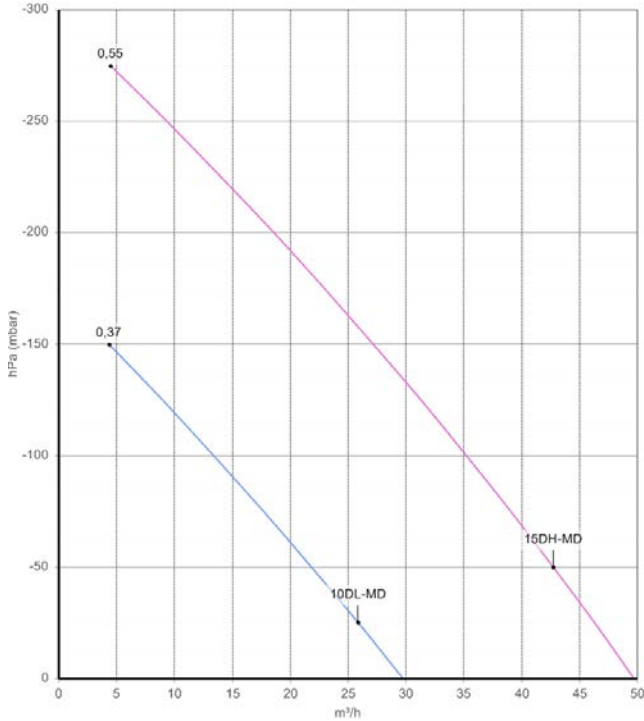
TEMPERATURE INCREASE

Curves refer to air at 20°C (68° F) temperature and 1013 mbar (29.92 In Hg) atmospheric pressure (abs) measured at inlet port.
Values for flow, power consumption and temperature rise: ±10% tolerance.
Data can change without prior notice.

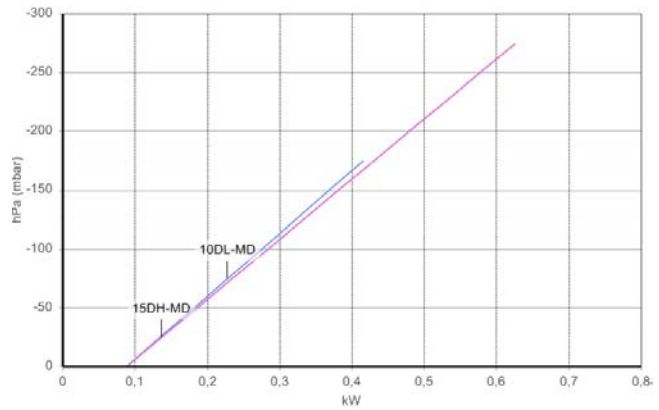
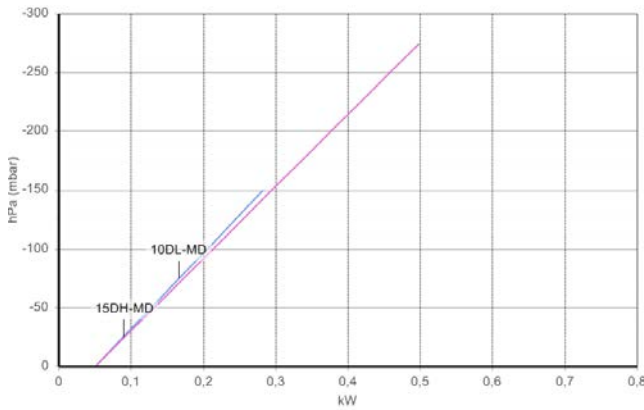
VACUUM

2900 rpm (50 Hz)

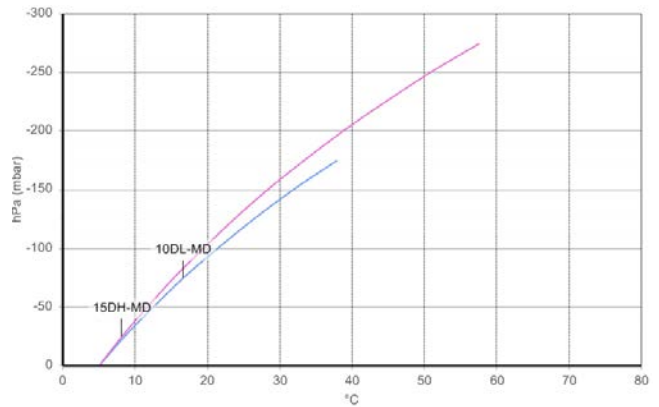
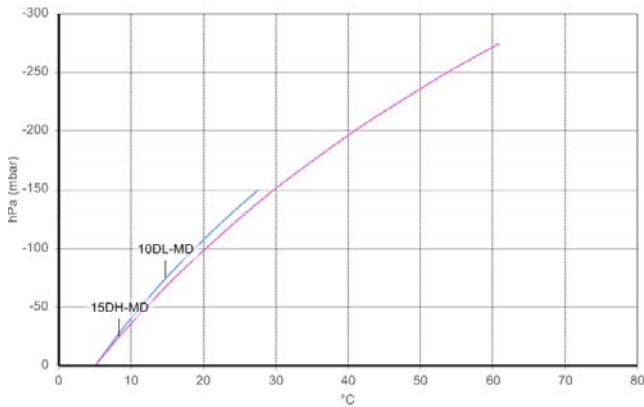
3500 rpm (60 Hz)



FLOW RATE



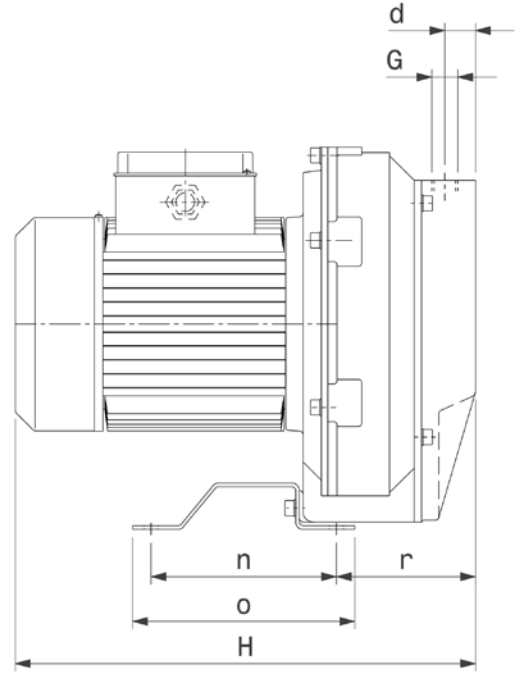
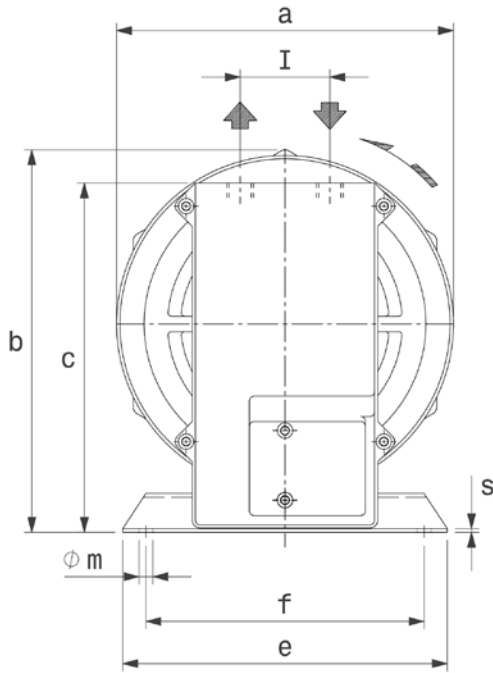
ABSORBED POWER



TEMPERATURE INCREASE

Curves refer to air at 20°C (68° F) temperature, measured at inlet port and 1013 mbar (29.92 In Hg) atmospheric backpressure (abs).
Values for flow, power consumption and temperature rise: ± 10% tolerance.
Data can change without prior notice.

DIMENSIONS (10DL-MD/15DH-MD)



Dimensions in mm - FOR REFERENCE ONLY

Model	a	b	c	d	e	f	G
10DL-MD	220	256	230	23	210	180	G 1/2"
15DH-MD	250	286	258	30	210	180	G 3/4"

Model	H	l	m	n	o	r	s
10DL-MD	300	58	9	120	144	90	2,5
15DH-MD	335	64	9	120	144	120	2.5

En Chile: **VERSOL LTDA.** www.versol.cl versol@versol.cl

Sopladores y Bombas de Vacío Lóbulos - Roots - De Paletas - Pistón y Membrana - Canal Lateral - De Garra - Limpiafosas - Difusores Aire - Centrales de Vacío - Serv. Técnico Autorizado - Rep. y Accesorios Cabinas Acústicas - Repuestos de Molinería - Aspiradoras de Granos y Polvos - Transportes Mecánicos y Neumático de Sólidos - Silos de Tela Tubería de Aspiración y Bajada - Sistema Levantador de Sacos - Imanes Soluciones en Neumática - Válvulas Rotativas (esclusas).

Los Manzanos # 2568 Huertos de La Pintana - La Pintana
Fonos (56-2) 27805528 y 27805530